

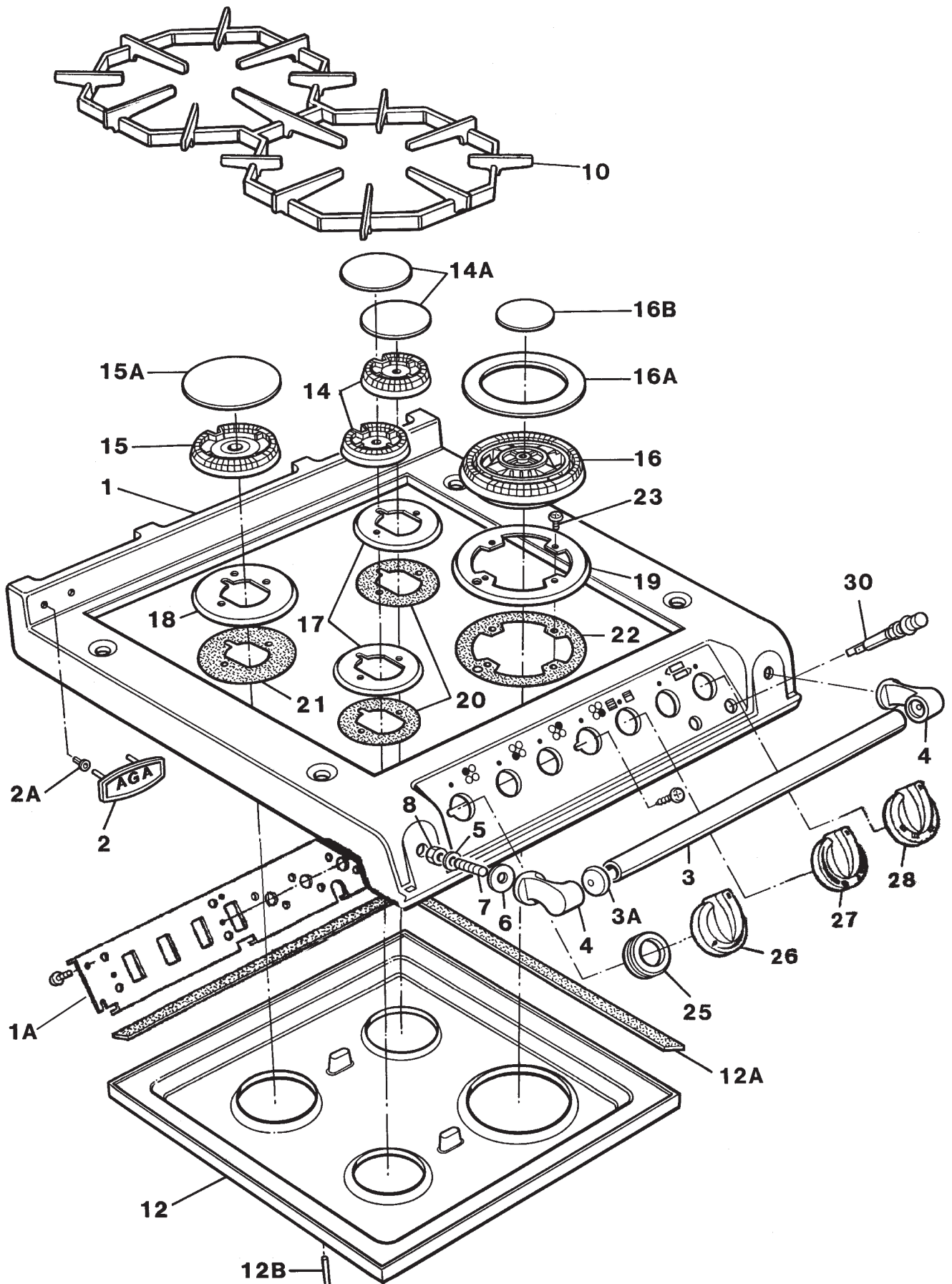
**AGA COMPANION
WITH GAS HOB
(FFD)**

***SPARE PARTS
MANUAL***

**AGA COMPANION WITH GAS HOB (FFD)
TOP PLATE AND HOTPLATE PARTS**

MARCH 2009

ITEM No.	CAT No.	DESCRIPTION	PRODUCT CODE
1	A3187	TOP PLATE	AG5E250010
1A	A5024	FACIA PANEL	AG2M251160
2	A3890	AGA BADGE (UP TO M02-037)	AE4M240175
2A		BADGE CLIP SIMM SCG 168/17/05	KCLP26230
3	A3286	HANDRAIL	AE4M240180
3A	A2975	VINYL END CAP	AG4M210660
4	A2314	BRACKET HANDLE	AG4M210853
5	A3664	WASHER M8 SHAKEPROOF	KWSR53346
6	A1472	FIBRE WASHER	JWSR313206
7	A4192	ALLTHREAD M8 x 35	KSTD500010
8	R2630	NUT M8	KNUT53061
10	A3188	PAN SUPPORT	AG4M250024
12	A3189	HOTPLATE	AG5E250012
12A	A3190	HOTPLATE GASKET (x4)	JGSG250083
12B	A3191	SPIROL PIN \varnothing 6 x 30	KCTR500380
14	A3192	BURNER RING 1.75 kW	AG4M250123
14A	A3193	BURNER CAP 1.75 kW (VE)	AG4M250124
15	A3194	BURNER RING 3.0 kW	AG4M250125
15A	A3195	BURNER CAP 3.0 kW (VE)	AG4M250126
16	A3196	BURNER RING 3.5 kW	AG4M250127
16A	A3197	BURNER CAP 3.5 kW (VE)	AG4M250128
16B	A3198	BURNER INNER CAP 3.5 kW (VE)	AG4M250129
17	A4817	BURNER SKIRT DISC 1.75 kW	AG4M251043
18	A4520	BURNER SKIRT DISC 3.0 kW	AG4M251044
19	A4818	BURNER SKIRT DISC 3.5 kW	AG4M251104
20	A4819	BURNER GASKET 1.75 kW	AG4M251007
21	A4820	BURNER GASKET 3.0 kW	AG4M251008
22	A4821	BURNER GASKET 3.5 kW	AG4M251046
23		SCREW M8 x 8 C'SNK HEAD M/C ST/ST	KCSK500365
25	A4904	GROMMET - REEVITE PV865	AG4M250978
26	A4670	KNOB - GAS BURNERS	AG4M251129
27	A4671	KNOB - GRILL	AG4M251130
28	A4672	KNOB - OVENS	AG4M251131
30	A3045	NEON	AE4M240092



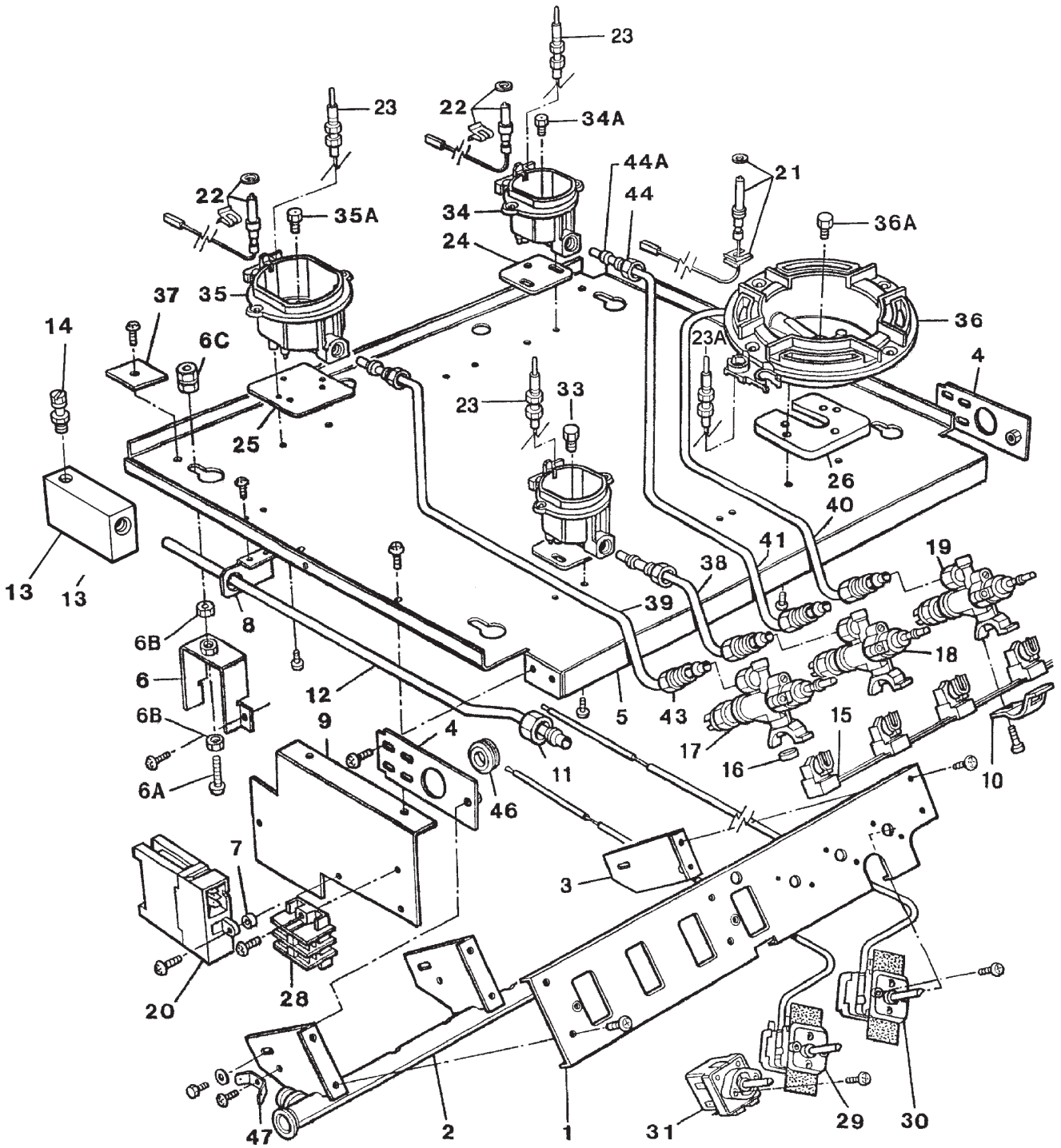
TOP PLATE & HOTPLATE PARTS
AGA GAS COMPANION (FFD)

**AGA COMPANION WITH GAS HOB (FFD)
CHASSIS PARTS**

FEBRUARY 2009

ITEM No.	CAT No.	DESCRIPTION	PRODUCT CODE
1		CONTROL MOUNTING PLATE	AG2M251161
2		GAS RAIL	AG4M251105
3		SUPPORT BRACKET	AG2M250049
4		END SUPPORT BRACKET	AG2M250051
5		BURNER MOUNTING PANEL	AG2M250194
6		HOTPLATE SUPPORT BRACKET	AG2M250053
6A	A2314	SCREW M8 x 45 POZI PAN	KPAN500371
6B	C1552	M6 NUT	KNUT53051
6C		SPECIAL NUT	AG4M250064
7		SPACER	AG4M250200
8		GAS TUBE BRACKET	AG2M250275
9		IGNITION GENERATOR CARRIER	AG2M250195
10		BRACKET	AG4M251012
11		PART OF GAS RAIL	
12		MAIN INLET GAS TUBE	RJG4M251097
13	A3222	GAS CONNECTION BLOCK	AG4M250088
14	A2253	PRESSURE TEST NIPPLE	RG4M35760
15	A4679	4 MICRO SWITCH HARNESS	AG4M250493
16		TAP SEAL - PART OF GAS VALVE	
17	A4715	GAS VALVE - 3.0 kW (0.33) - NG	AG4M251100
	A4717	GAS VALVE - 3.0 kW LPG	AG1M251178
18	A4714	GAS VALVE - 1.75 kW (0.27) - NG	AG4M251099
	A4716	GAS VALVE - 1.75 kW LPG	AG1M251177
19	A4713	GAS VALVE - 3.5 kW (0.65) - NG	AG4M251098
	A4718	GAS VALVE - 3.5 kW LPG	AG1M251179
20	A3212	IGNITION GENERATOR (UP TO M07-158)	AG4M250021
20A	A4664	IGNITION GENERATOR (FROM M07-158)	AG4M251074
21	A3213	IGNITION ELECTRODE & WIRE 3.5 (UP TO M07-158)	AG4M250027
21A	M0076	IGNITION ELECTRODE & WIRE (FROM M07-158)	AG4M260350
22		IGNITION ELECTRODE & WIRE (UP TO M07-158)	AG4M250029
22A	A4662	IGNITION & ELECTRODE (FROM M07-158)	AG4M251064
23	A4525	THERMOCOUPLE	AG4M250912
23A	A4741	THERMOCOUPLE - 3.5 kW	AG4M251006
24		SPACER - 1.75 kW	AG4M250032
25		SPACER - 3.0 kW	AG4M250033
26		SPACER - 3.5 kW	AG4M250068
28		TAB TERMINAL BLOCK	AG4M250075
29	A3223	REGULATOR TOP OVEN (UP TO M05-180)	AG4T250111
29A	A5349	REGULATOR TOP OVEN (FROM M08-085)	AG1M997730
30	A3224	REGULATOR BOTTOM OVEN (UP TO M05-180)	AG4T250112
30A	A4923	REGULATOR BOTTOM OVEN (FROM M05-180)	AG4T251256
31	A3225	REGULATOR - GRILL (UP TO M05-180)	AG4M250110
31A		REGULATOR - GRILL (FROM M05-180)	AG4M251258
33	A3228	LPG INJECTOR FOR 1.75 kW (065)	AG4M250119
34	A3495	S/RAPID BURNER CUP (1.75 kW)	AG1M998525
34A	A3227	NG INJECTOR FOR 1.75 kW (097)	AG4M998433
35	A3496	RAPID BURNER CUP (3.0 kW)	AG1M998526
35A	A3234	INJECTOR FOR 3.0 kW (116) - NG	AG4M998434
	A3231	INJECTOR FOR 3.0 kW (85) - LPG	AG4M250120
36	A3497	WOK BURNER BODY (3.5 kW)	AG1M998527
36A	A3230	INJECTOR FOR 3.5 kW (130) - NG	AG4M998435
	A3233	INJECTOR FOR 3.5 kW (95) - LPG	AG4M250121
37		STOP PLATE	AG2M250145
38		LH FRONT 1.75 kW GAS TUBE	AG4M251094
39		LH REAR 3.0 kW GAS TUBE	AG4M251093
40		RH FRONT 3.5 kW GAS TUBE	AG4M251095
41		RH REAR 1.75 kW GAS TUBE	AG4M251092
43		TUBE NUT (SABAF) 0784	
44		TUBE NUT (SABAF) 0784	AG4M250135

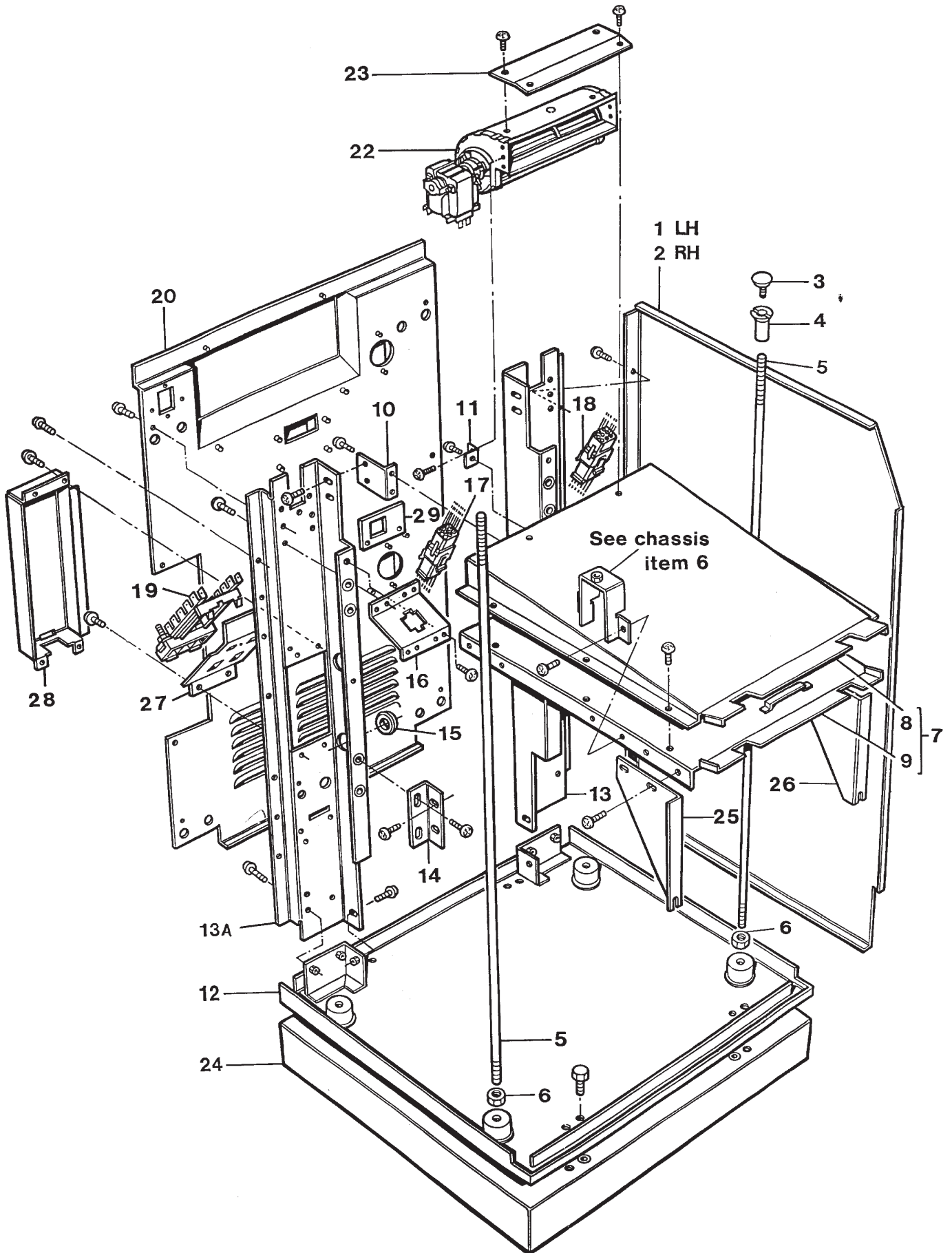
ITEM No.	CAT No.	DESCRIPTION	PRODUCT CODE
44A 46 47		OLIVE (SABAF) GROMMET - REEVITE EARTH TAB CONNECTOR	AG4M250136 AG4M250132 AG4M250082



**CHASSIS PARTS
AGA GAS COMPANION (FFD)**

AGA COMPANION WITH GAS HOB (FFD) JUNE 2007
BASE, BACK PLATE & COOLING DUCT ASSEMBLY (UP TO M01-086)

ITEM No.	CAT No.	DESCRIPTION	PRODUCT CODE
1	A2985	SIDE PLATE LH	AE2V240105
2	A2984	SIDE PLATE RH	AE2V240106
3	A2119	BURNER CORNER STAY	AG4M210228
4	A2123	NUT - CORNER STAY	AG4M210244
5	A2118	STAY ROD	AG4M210226
6	A3069	LOCKNUT - 5/16 BSW	KNUT53065
7	A3635	DUCT ASSEMBLY	AG1M250141
8	A3071	DUCT TOP ASSEMBLY	AE1M240122
9	A3072	DUCT BOTTOM	AE2M240111
10	A3073	BRACKET - REAR DUCT	AE2M240118
11	A3074	BRACKET - FAN FIXING	AE2M240143
12	A3075	BASE PLATE ASSEMBLY	AE2V240067
13		REAR STRUT - RH	AG2M250193
13A		REAR STRUT - LH	AG2M250182
14	A3077	SUPPORT BRACKET - OVEN	AE2M240123
15	A2757	GROMMET	AE4M240132
16	A3078	BRACKET - WIRING SOCKET	AE2M240113
17		LH 9-WAY PLUG	AE4M250084
18		RH 9-WAY PLUG	AG4M250084
19		MAINS TERMINAL BLOCK - FROM SEPT 1999 (NO LONGER AVAILABLE)	AG4M250175
	A3048	MAINS TERMINAL BLOCK - UP TO SEPT 1999	AE4M240091
19A	M0158	MAINS TERMINAL BLOCK - FROM M01-168A	AG4M250613
	A3931	MAINS TERMINAL BLOCK KIT - INCLUDES (19A & 27)	AG9M998725
20		BACK PLATE ASSEMBLY	AG1M250274
22	A3081	COOLING FAN	AE4M240008
23	A3082	BRACKET - FAN	AE2M240114
24	A3015	PLINTH ASSEMBLY	AE2V240195
25		STABILISING BRACKET LH	AG2M250056
26		STABILISING BRACKET RH	AG2M250057
27	A3920	TERMINAL BLOCK MOUNTING PLATE	AG2M250180
28	A3921	TERMINAL BLOCK COVER	AG2M250181
29		CONNECTION BLOCK SUPPORT	AG2M250255

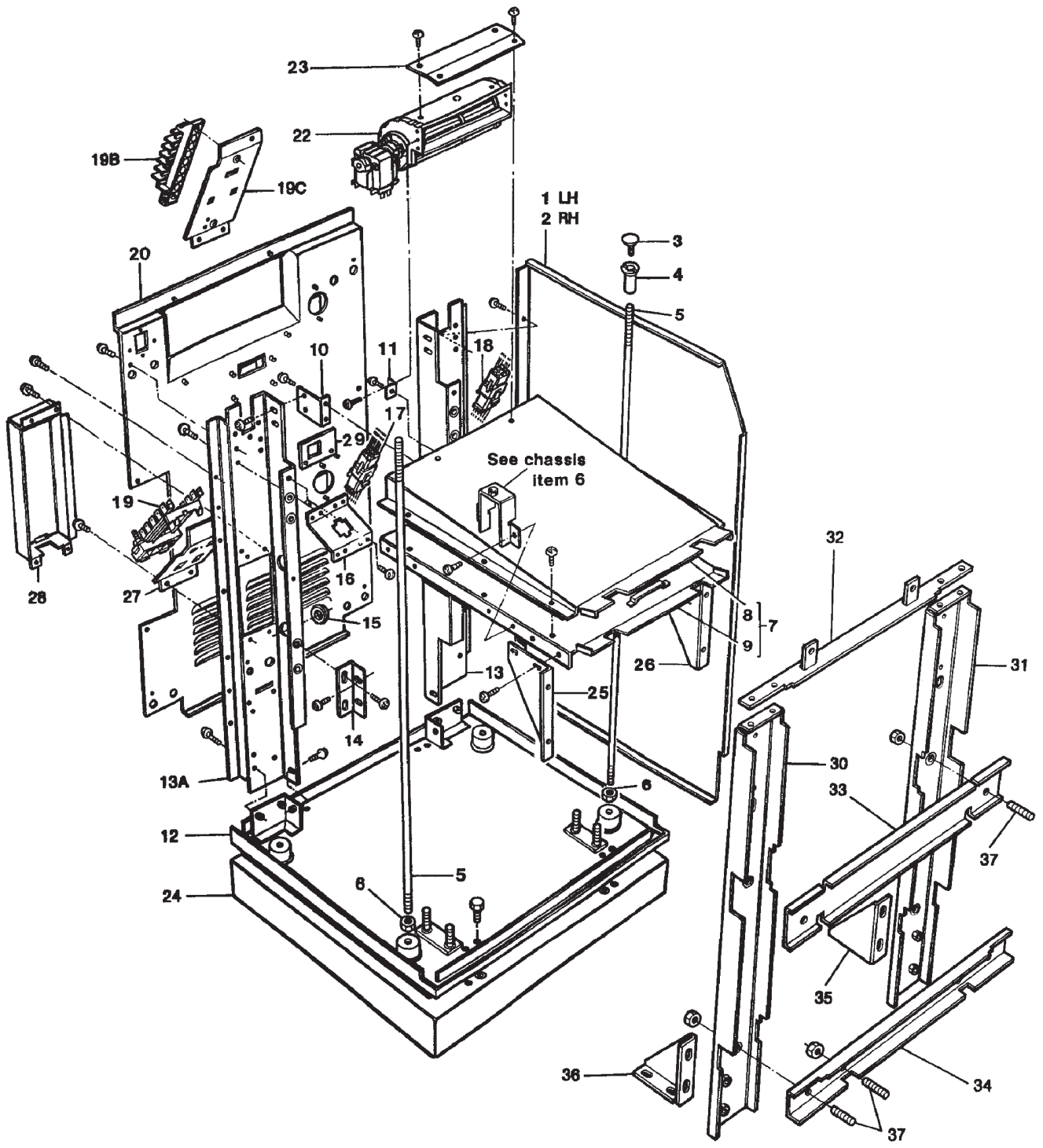


**BASE, BACK PLATE & COOLING DUCT ASSEMBLY
AGA GAS COMPANION - FFD (UP TO M01-086)**

**AGA COMPANION WITH GAS HOB - FFD
BASE, BACK PLATE & COOLING DUCT ASSEMBLY (FROM M01-086)**

NOVEMBER 2007

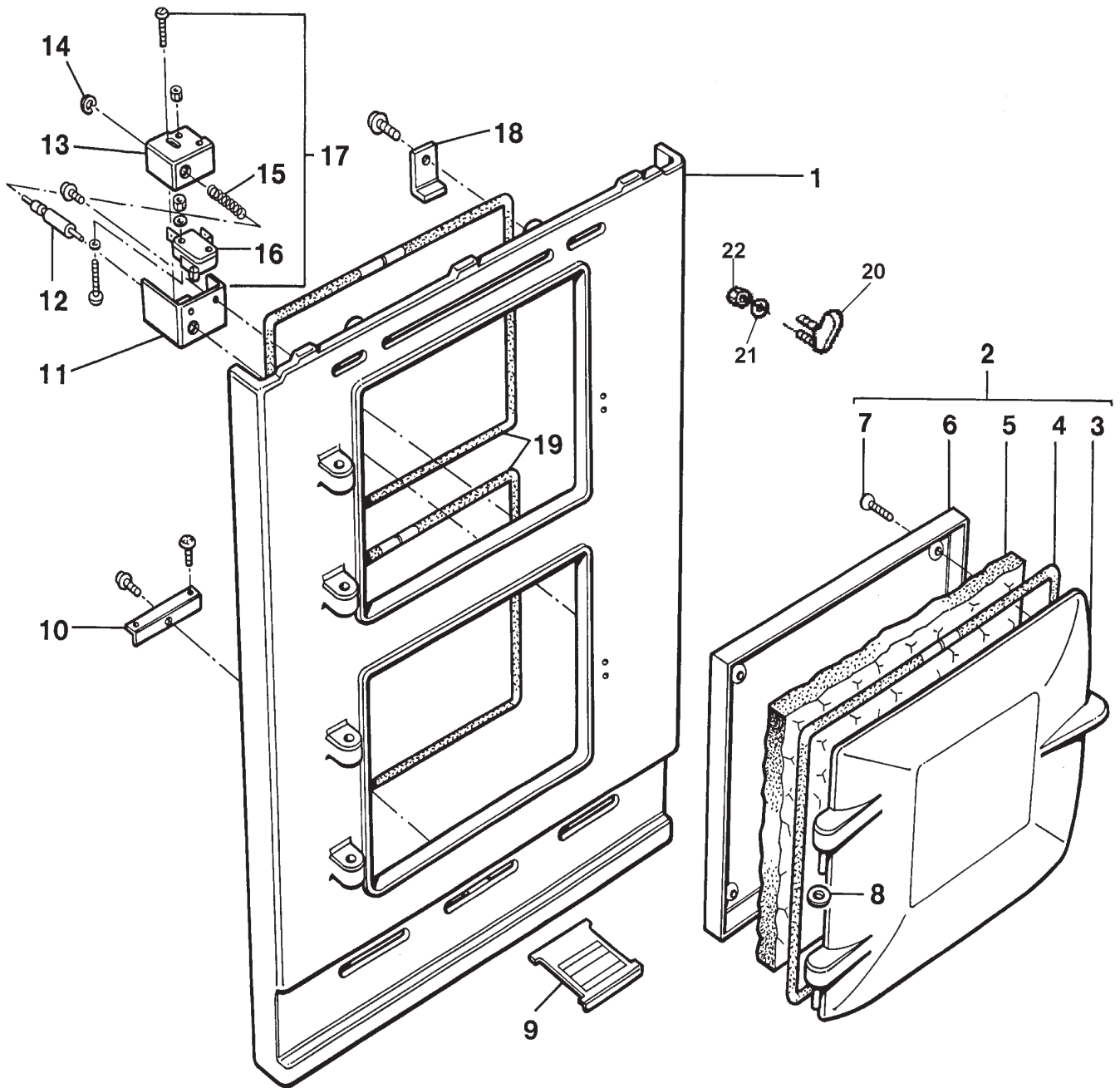
ITEM No.	CAT No.	DESCRIPTION	PRODUCT CODE
1	A2985	SIDE PLATE LH	AE2V240105
2	A2984	SIDE PLATE RH	AE2V240106
3	A2119	BURNER CORNER STAY	AG4M210228
4	A2123	NUT - CORNER STAY	AG4M210244
5	A2118	STAY ROD	AG4M210226
6	A3069	LOCKNUT - 5/16 BSW	KNUT53065
7	A3635	DUCT ASSEMBLY	AG1M250141
8	A3071	DUCT TOP ASSEMBLY	AE1M240122
9	A3072	DUCT BOTTOM	AE2M240111
10	A3073	BRACKET - REAR DUCT	AE2M240118
11	A3074	BRACKET - FAN FIXING	AE2M240143
12	A3075	BASE PLATE ASSEMBLY	AE2V240067
13		REAR STRUT - RH	AG2M250193
13A		REAR STRUT - LH	AG2M250182
14	A3077	SUPPORT BRACKET - OVEN	AE2M240123
15	A2757	GROMMET	AE4M240132
16	A3078	BRACKET - WIRING SOCKET	AE2M240113
17		LH 9-WAY PLUG	AE4M250084
18		RH 9-WAY PLUG	AG4M250084
19		MAINS TERMINAL BLOCK - FROM SEPT 1999 (NO LONGER AVAILABLE TO JAN 2002)	AG4M250175
	A3048	MAINS TERMINAL BLOCK - UP TO SEPT 1999	AE4M240091
19A	M0158	MAINS TERMINAL BLOCK (UP TO NP04-002)	AG4M250613
	A3931	MAINS TERMINAL BLOCK KIT (INCL 19A & 27)	AG9M998725
19B		MAINS TERMINAL BLOCK (FROM NP04-002)	AG4M250991
19C		TERMINAL BLOCK MTG BRKT (FROM NP04-002)	AG2M250988
20		BACK PLATE ASSEMBLY	AG1M250274
22	A3081	COOLING FAN	AE4M240008
23	A3082	BRACKET - FAN	AE2M240114
24	A3015	PLINTH ASSEMBLY	AE2V240195
25		STABILISING BRACKET LH	AG2M250263
26		STABILISING BRACKET RH	AG2M250264
27	A3920	TERMINAL BLOCK MOUNTING PLATE (UP TO NP04-002)	AG2M250180
28	A3921	TERMINAL BLOCK COVER	AG2M250181
29		CONNECTION BLOCK SUPPORT	AG2M250255
30		FRONT LH STRUT	AG2M250256
31		FRONT RH STRUT	AG2M250257
32		TOP CROSS MEMBER ASSY	AG1M250258
33		CENTRE CROSS MEMBER	AG2M250262
34		BOTTOM CROSS MEMBER	AG2M250265
35		FRONT RH STRUT	AG2M250257
36		FRONT LH STRUT	AG2M250256
37	A3924	M6 x 32 ALLTHREAD	KSTD52750



BASE, BACK PLATE & COOLING DUCT ASSEMBLY
 AGA GAS COMPANION - FFD (FROM M01-086)

AGA COMPANION WITH GAS HOB - FFD JUNE 2007
FRONT PLATE & DOOR ASSEMBLY

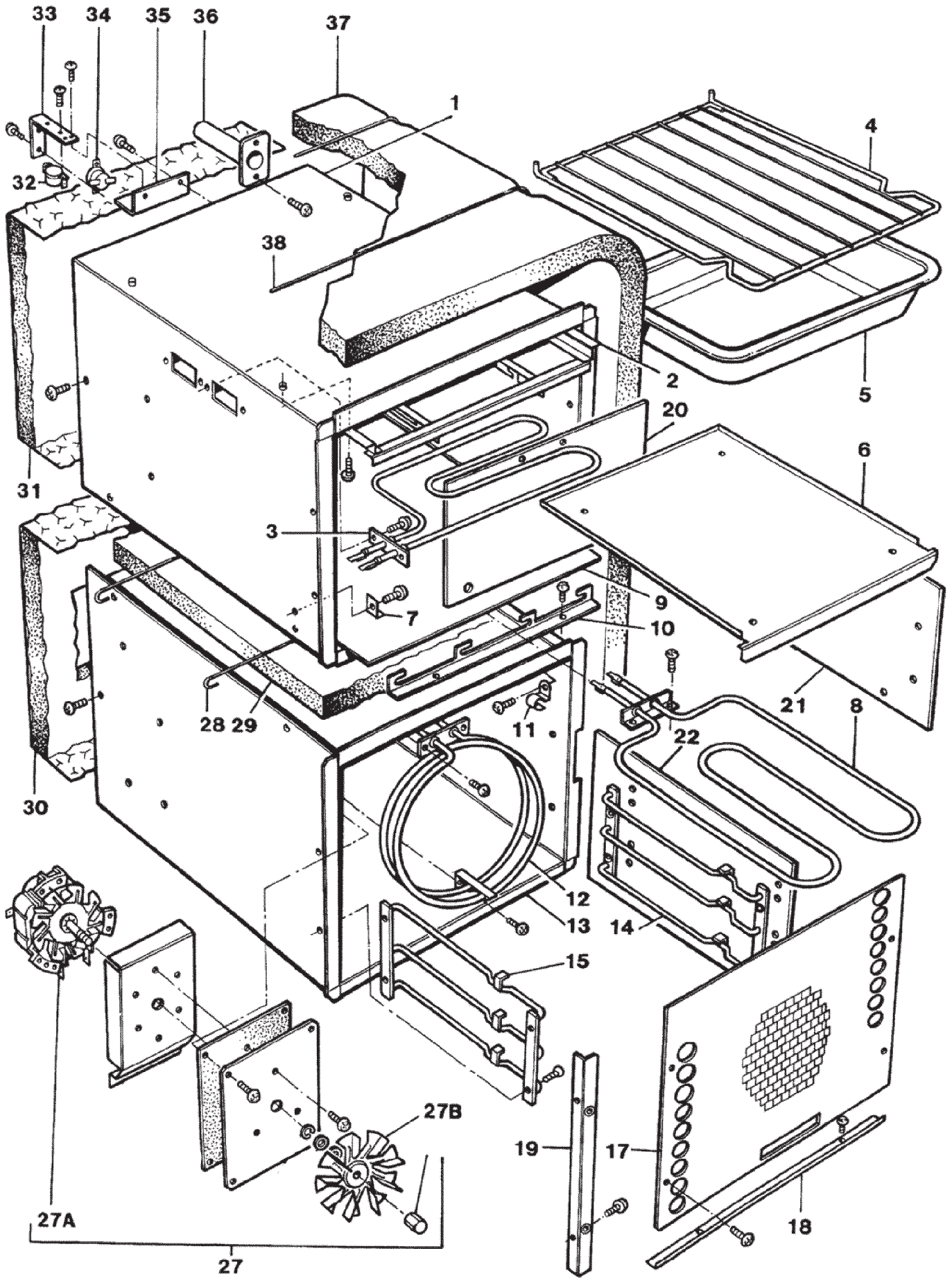
ITEM No.	CAT No.	DESCRIPTION	PRODUCT CODE
1		FRONT PLATE - FROM M02-081 FRONT & DOORS COMPLETE	AE5E240247 AG1M211340
2	A4068	DOOR ASSEMBLY - BOTTOM	AE9M240204
2A	A2955	DOOR ASSY - TOP (UP TO M02-037)	AE9M240197
2B	A4067	DOOR ASSY - TOP - INCLS BADGE (FROM M03-037)	AE9M998793
3	A1671	DOOR	AS5E1-9285L
4	A3054	SEAL - THERMOSEAL ROPE No. 4 x 1200 LG UP TO M01-080	AE1M230125
	A4340	TOP DOOR THERMOSEAL ROPE No. 4 x 1000 LG (BLACK) FROM M01-080 UP TO M07-091	AE1M230399
	A3954	BOTTOM DOOR SEAL THERMOSEAL ROPE No. 4 x 1185 LG (BLACK) FROM M01-080 FROM M07-091 USED ON TOP DOOR	AE1M230400
5	R1080	INSULATION	MRWF210639
6	A3022	LINER	AE4M240186
7		SCREWS M8 x 20 LG CSK HD	KCSK500341
8	A1950	WASHER 8 x 16 x 1mm THICK	KWSR53500
9		SLIDING PLATE - DATA PLAQUE - UP TO M04-091	AE2V240148
9A	A3057	SLIDING PLATE C/W BRACKET - FROM M04-091	RG9V301145
10	A3058	ANGLE CARRIER	AE2M240147
11	A3059	SUPPORT BRACKET DOOR SWITCH	AE2V240080
12	A3060	PIN	AE4M240021
13	A3526	BRACKET	AE2M240081
14	A3062	CIRCLIP	KCLP500303
15	A3063	SPRING	AE4M240085
16	A3064	MICROSWITCH	AE4M240084
17	A3114	DOOR SWITCH ASSEMBLY	AE4M240056
18	A3065	CLAMP - OVEN FITTING	AE2M240082
19	A3066	ROPE SEAL 7 DIA	JTHR240144
20	A3956	DOOR CATCH	AG4M250478P
21		DOOR CATCH GASKET	JGSG211270
22		LOCKNUT M5	KNUT500485



FRONT PLATE & DOOR ASSEMBLY
AGA GAS COMPANION - FFD

**AGA COMPANION WITH GAS HOB - FFD JUNE 2010
TOP AND BOTTOM OVEN ASSEMBLIES**

ITEM No.	CAT No.	DESCRIPTION	PRODUCT CODE
1		TOP OVEN ASSEMBLY	AE4M240184
2		SUPPORT - GRILL ELEMENT	AE1M240031
3	A3068	ELEMENT - GRILL	AE4M240054
4	A2973	GRID SHELF	AE4M240065
5	A3285	ROASTING TIN	EMTY530218
6	A3083	GRILL TRAY	AE4M240032
7		RETAINING CLIP	AE2M240079
8	A3043	ELEMENT - TOP OVEN	AE4M240042
9	A3085	BASE PANEL	AE4M240039
10		SUPPORT - OVEN ELEMENT	AE2M240125
11	A3087	PHIAL CLIP	AE4M240058
12	A3088	ELEMENT - BOTTOM OVEN	AE4M240053
13		BOTTOM OVEN ASSEMBLY	AE4M240185
14	A3089	SHELF SUPPORT RH	AE4M240075
15	A2974	SHELF SUPPORT LH	AE4M240074
16			
17		BAFFLE PLATE	AE4M240178
18		SEALING BRACKET	AE2M240078
19		FIXING BRACKET	AE2M240020
20	A3016	TOP OVEN REAR LINING	AE4M240179
21	A3017	TOP OVEN INNER SIDE LINING (LH & RH)	AE4M240176
22	A3018	BOTTOM OVEN INNER SIDE LINING (LH & RH)	AE4M240177
23			
24			
25		GASKET	JGSG240142
26		FAN SHIELD	AE2M240119
27	A3095	FAN AND IMPELLOR ASSEMBLY (UP TO M07-142)	AE4M 240093
27		MOTOR (PART OF 27)	AE4M240155
27		IMPELLOR (PART OF 27)	AE4M240156
27		NUT - IMPELLOR (PART OF 27)	AE4M240157
27		WASHER (PART OF 27)	AE4M240158
27		CIRCLIP (PART OF 27)	AE4M240159
27A		OVEN FAN (FROM M07-142)	AE4M260908
27B		IMPELLOR 120MM (FROM M07-142)	AG4M251303
27C	M0424	CIRCULATION FAN ASSY (PRE M07-142)	AE9M997604
28		WIRE 650 LG	AE4M240145
29		INSULATION - PLAIN	JPAD230037
30	A3097	INSULATION - BOTTOM OVEN	JPAD240051
31	A3098	INSULATION - TOP OVEN	JPAD240050
32	A3042	CUT-IN	AE4M240131
33	A3099	CARRIER BRACKET - FAN CUT OUT/IN	AE2M240135
34	R3246	CUT-OUT	RO4T340645
35		BRACKET - FAN CUT OUT/IN	AE2M240134
36	A3100	VENT PIPE	AE4M240090
37	A3101	MAIN WRAP INSULATION	JPAD240052
38	A3096	WIRE 2.3m LONG	AE4M240145



**TOP & BOTTOM OVEN ASSEMBLIES
AGA GAS COMPANION - FFD**